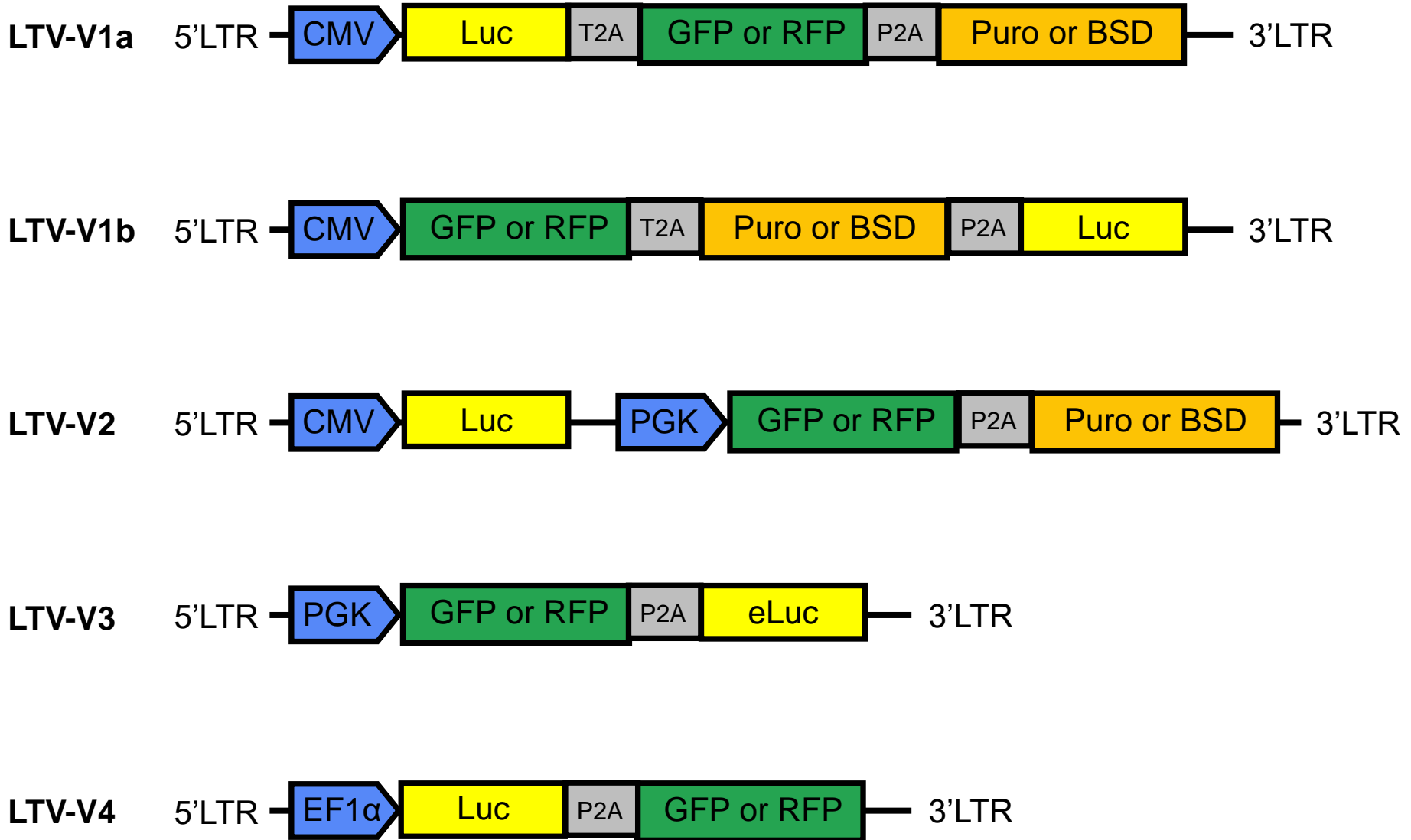


Luciferase/Fluorescent Dual-Imaging Lentivirus: Vector Schemes



Abbreviations: Luc, luciferase; eLuc, enhanced luciferase; Puro, puromycin; BSD, blasticidin.